

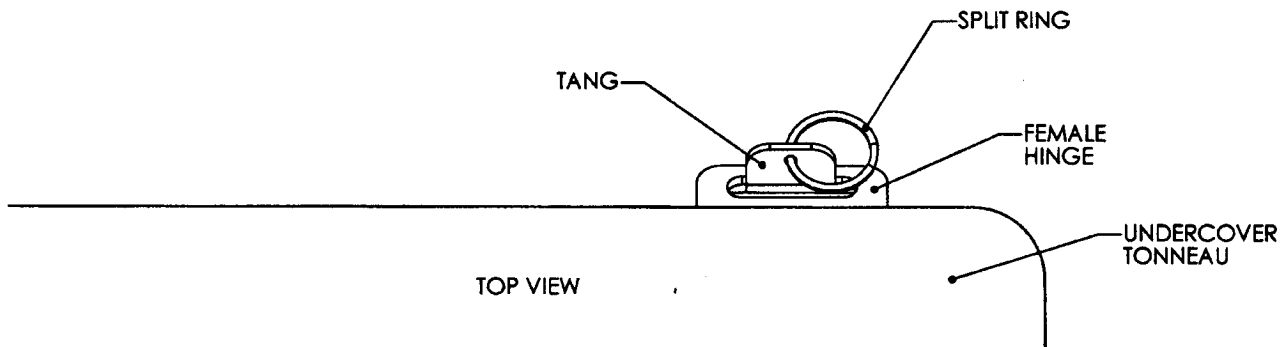
UNDERCOVER

REMOVAL AND RE-INSTALLATION INSTRUCTIONS

EASY AS 1-2-3

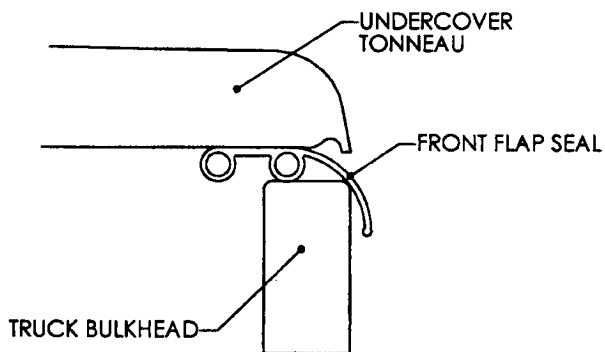
Re-installation

Step 1: Place tonneau on the truck bed positioning hinges over front bracket tangs. Install split rings on tangs to secure cover. (see figure below)

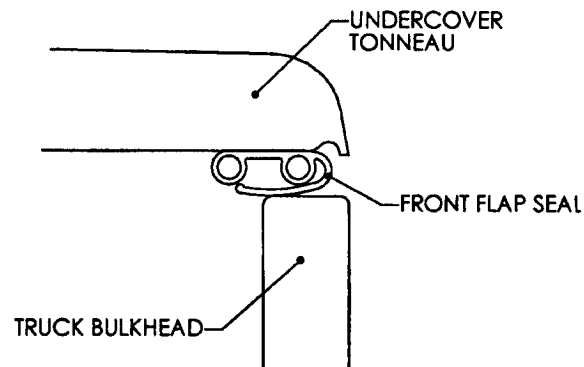


Step 2: Open tonneau with one hand, and with the palm of your other hand push the strut end over the ball stud. You do NOT need to pry out the retaining clip when re-installing strut.

Step 3: Be sure that the front flap seal is positioned correctly and hanging over the bulkhead, not rolled under the tonneau after installation. If the front flap is rolled under, open the tonneau and use a yardstick (or similar item) to push the front flap seal out from the inside so that it hangs correctly. (see figures below)



CORRECT PLACEMENT OF FRONT FLAP SEAL



INCORRECT PLACEMENT OF FRONT FLAP SEAL

Removal instructions on reverse side.