

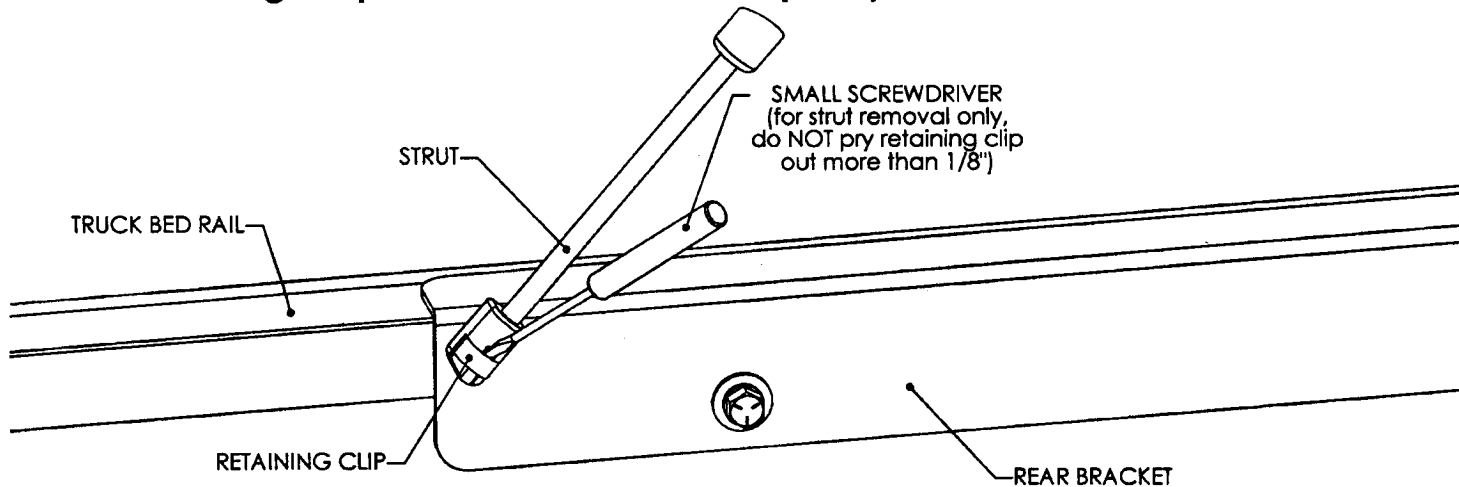
UNDERCOVER

REMOVAL AND RE-INSTALLATION INSTRUCTIONS

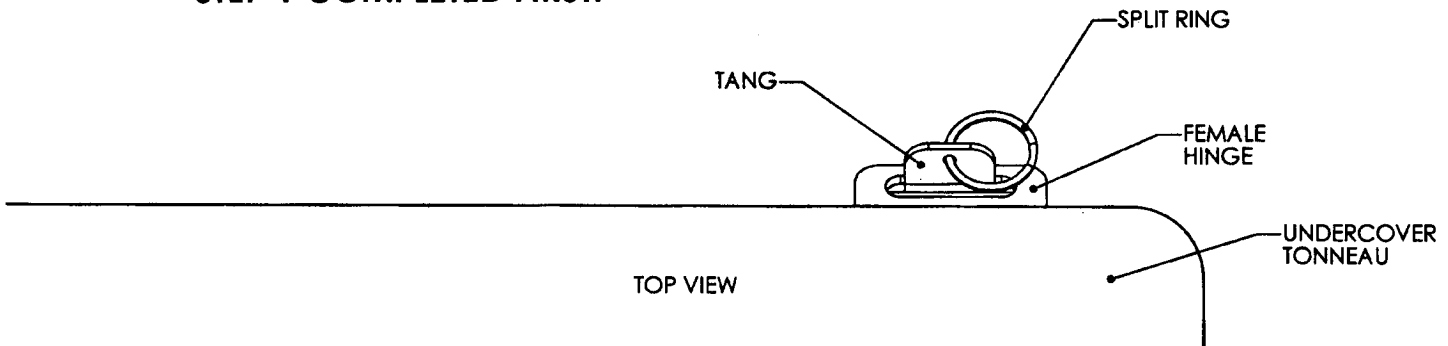
EASY AS 1-2-3

Removal

Step 1: Open tonneau, use small screwdriver to pry retaining clip on strut out about 1/8". DO NOT REMOVE THE RETAINING CLIP!! (see figure below) With the palm of your hand "pop" the strut off of the ball stud. Holding tonneau up with one hand, place loose end of the strut in the strut storage clip with the other hand. Repeat procedure for the other side.



Step 2: Remove the split rings at the front of the tonneau. BE SURE TO HAVE STEP 1 COMPLETED FIRST.



Step 3: Now carefully lift the tonneau off of the truck bed.

Re-installation instructions on reverse side.