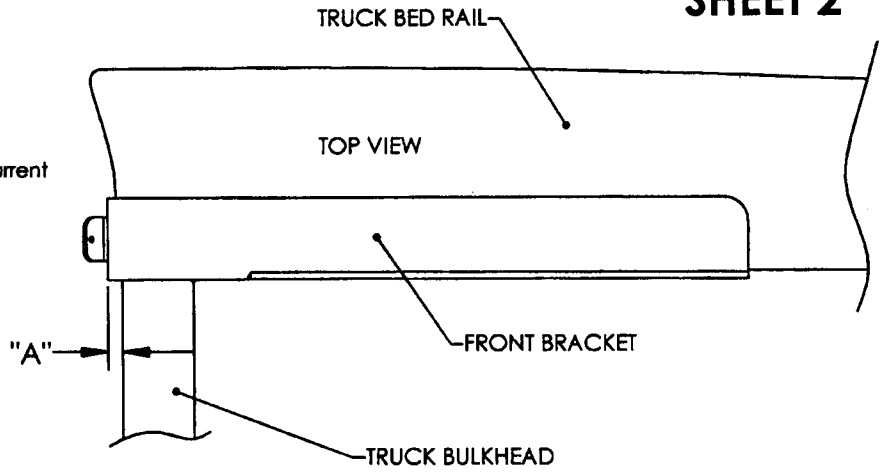


"A" dimension is to be used on the following models.

"A"	MODEL
1/8"	1010 Chevy/GMC Short Bed 99-current
1/8"	1020 Chevy S-10/GMC Sonoma Short Bed 94-current
1/16"	2020 Ford F-250 SuperDuty Short Bed 99-current
1/16"	2040 Ford Ranger Short Bed 93-current
1/8"	3010 Dodge Ram Short Bed 94-01
3/16"	3020 Dodge Ram Short Bed 02-current
3/8"	3030 Dodge Dakota Quad Cab 00-current

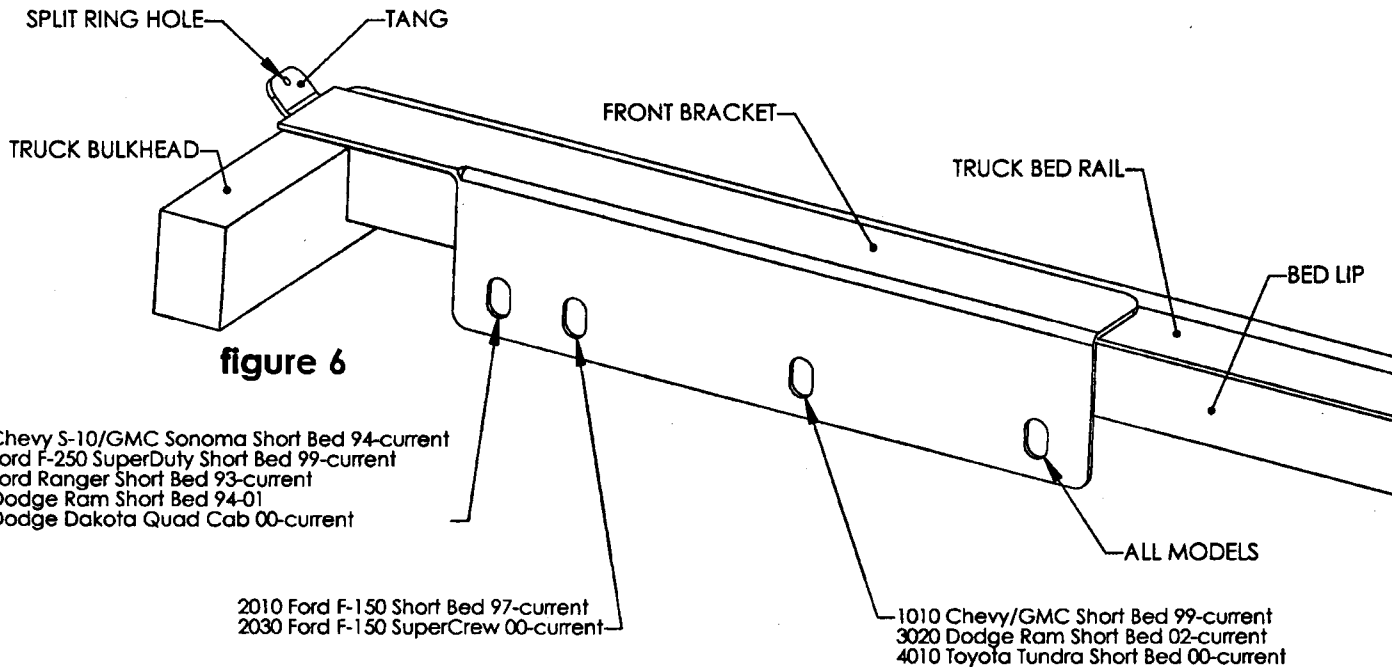
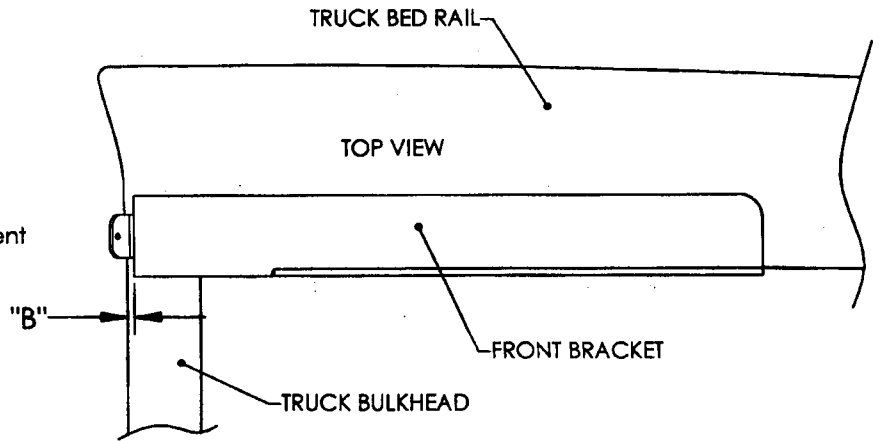
**figure 4**



"B" dimension is to be used on the following models.

"B"	MODEL
1/8"	2010 Ford F-150 Short Bed 97-current
1/8"	2030 Ford F-150 SuperCrew 00-current
3/8"	4010 Toyota Tundra Short Bed 00-current

**figure 5**



**figure 6**

1020 Chevy S-10/GMC Sonoma Short Bed 94-current  
 2020 Ford F-250 SuperDuty Short Bed 99-current  
 2040 Ford Ranger Short Bed 93-current  
 3010 Dodge Ram Short Bed 94-01  
 3030 Dodge Dakota Quad Cab 00-current

2010 Ford F-150 Short Bed 97-current  
 2030 Ford F-150 SuperCrew 00-current

1010 Chevy/GMC Short Bed 99-current  
 3020 Dodge Ram Short Bed 02-current  
 4010 Toyota Tundra Short Bed 00-current