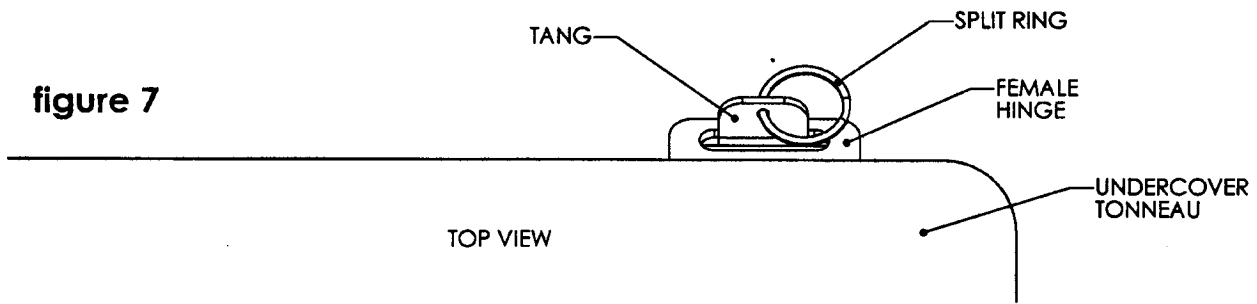
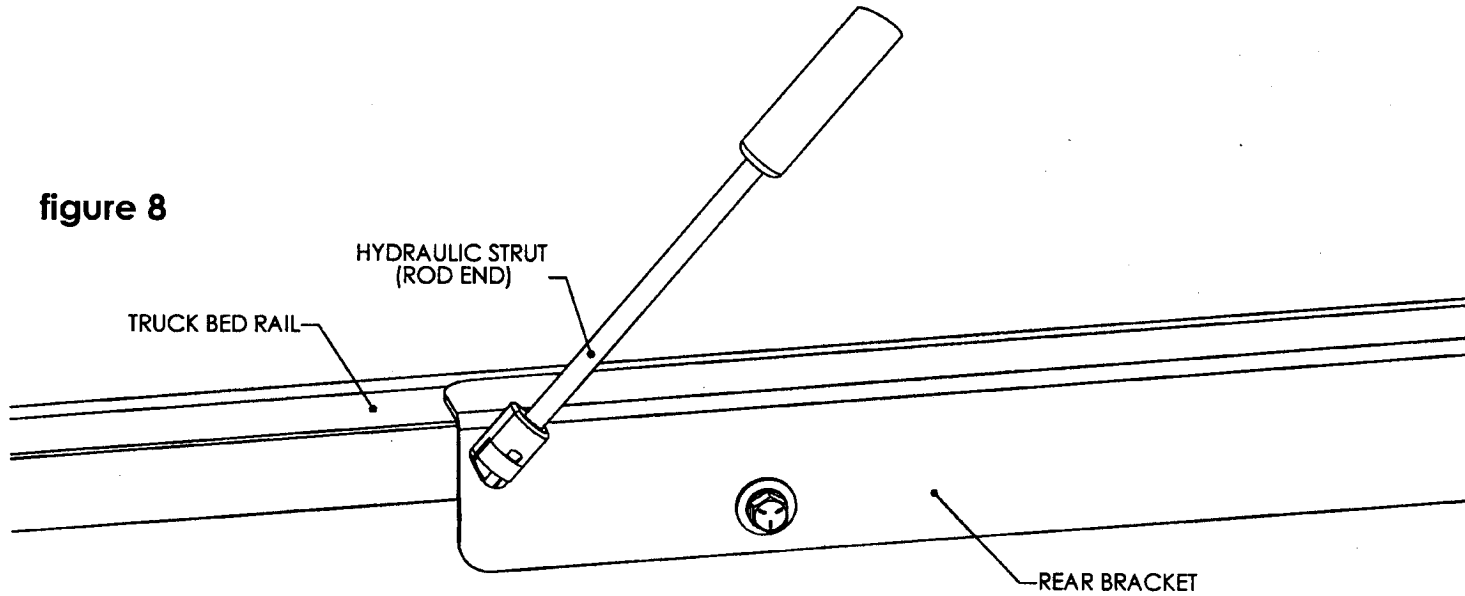


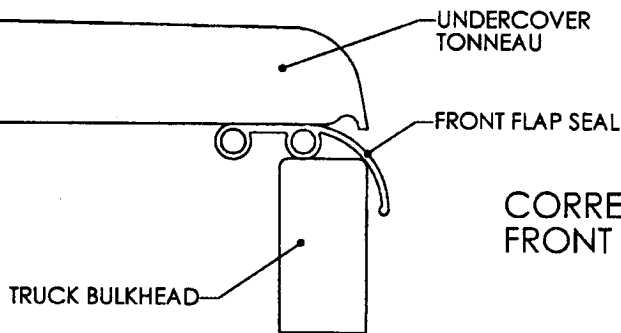
**figure 7**



**figure 8**

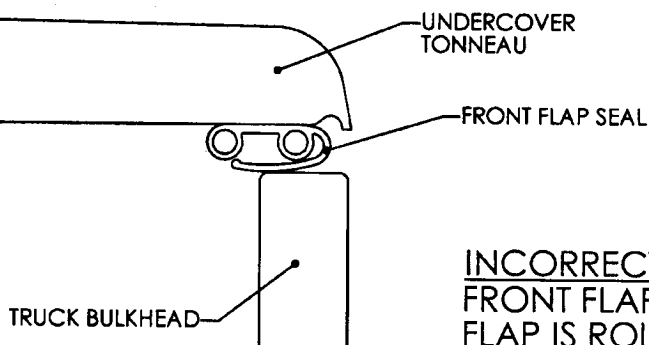


**figure 9**



**CORRECT PLACEMENT OF FRONT FLAP SEAL**

**figure 10**



**INCORRECT PLACEMENT OF FRONT FLAP SEAL, FLAP IS ROLLED UNDER TONNEAU**